

AFC

Low Velocity Supply Unit



20/AFC/PC/xxxx/0106/EN

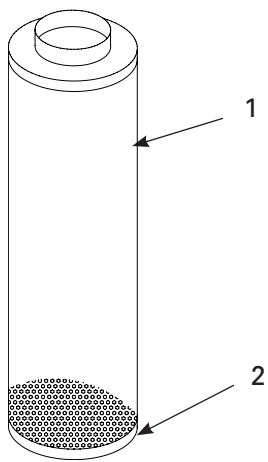
- Horizontal low velocity air supply at floor level or vertical air supply from ceiling
- Flow pattern at an angle of 360 degrees enables large airflow rates with low residual velocities in the occupied zone.
- Detachable front panel and metallic internal structure enable cleaning of the unit and ductwork.
- Circular duct connection with integral rubber gasket at the top/bottom.

Product Models & Accessories

- Stainless steel (18 ga.) design
- Model with thick front panel
- Duct cover
- Installation base

MATERIAL AND FINISHING

PART	MATERIAL	NOTE
Front panel	Perforated galvanized steel	Stainless steel 18 gauge as an option
Casing	Galvanized steel	Stainless steel 18 gauge as an option
Flow equalization element	Galvanized steel	
Cover strip	Plastic PVC	
Coupling sleeve with gasket	Galvanized steel	
Installation base	Galvanized steel	
Finishing	Polyester - epoxy - painted White RAL 9010 / 30% gloss	Special colors available



	CODE	DESCRIPTION	NOTE
Duct cover (1)	DC	Standard length 39.37" / 59.05" / 78.74"	
Installation base (2)	AS	Standard height 2"	Sizes 200...315
Installation base high model	AS	Standard height 4"	Sizes 400...800

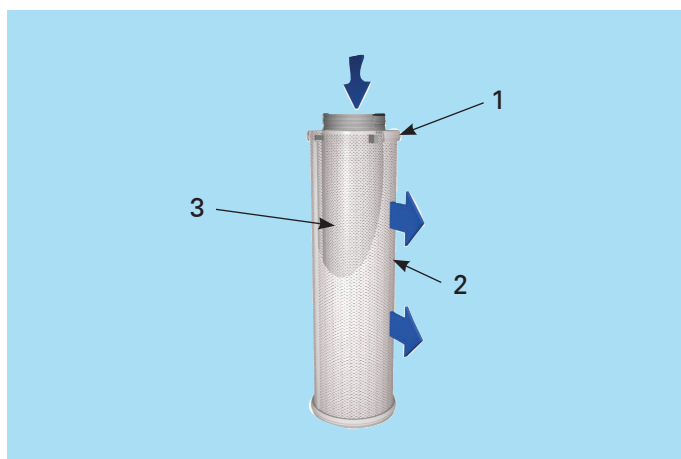
Product Options & Accessories

Product options

- Duct cover (DC) made of perforated steel
- (same as AFC)
- Construction made of Stainless Steel (18 gauge)
- Thicker front panel
- Smaller than standard duct connection of the unit
- Cover strip in white, grey, or black color

SOUND LEVEL DATA, SUPPLY

	q _v (cfm)	Δp _{st} (in.W.C)	Δp _{tot} (in.W.C)	F (Hz)								L _{pA} [dB(A)]	NR	NC
				63	125	250	500	1000	2000	4000	8000			
AFC-200	269	0.01	0.05	42	31	25	28	22	9	17	22	25	25	22
	328	0.01	0.07	43	31	30	34	30	18	17	22	30	26	24
	384	0.02	0.10	44	31	33	38	36	25	17	22	35	32	30
	456	0.02	0.14	44	34	38	42	41	33	23	22	40	37	36
AFC-250	390	0.01	0.04	44	25	26	31	17	5	14	17	25	22	21
	494	0.02	0.07	44	30	31	35	27	17	18	21	30	27	25
	591	0.02	0.10	44	35	36	38	35	25	21	23	35	31	30
	687	0.03	0.13	44	38	39	41	42	32	24	26	40	38	36
AFC-315	680	0.02	0.06	40	28	30	29	22	8	6	20	25	23	20
	793	0.02	0.08	41	31	34	34	29	17	10	20	30	26	24
	909	0.03	0.10	42	34	38	38	35	25	14	20	35	31	30
	1047	0.04	0.14	43	37	40	42	41	32	20	20	40	37	36



Servicing

CODE	DESCRIPTION
1	Cover strips
2	Front panel
3	Flow equalization element

Function

Air is supplied into the space through the front panel of the unit, normally at a slightly lower temperature than the room air temperature.

The supply air flows down to floor level and gradually pervades at low velocity level the occupied space and finally rises up due to the convection of warm surfaces.

The low velocity flow pattern is circular (360°), directed forward.

Openable and cleanable unit with non-clogging design.

Note: The flow pattern data has been defined for floor installation.

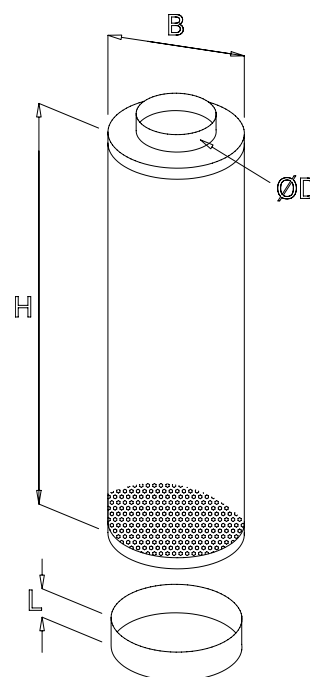
Open the front panel (2) by first removing the cover strips (1) and unscrewing the screws. Pull out the front panel. If required, the flow equalization element (3) can be detached by unscrewing the fixing screws. Pull out the inner structure.

Wipe the parts with a damp cloth, instead of immersing in water. Reassemble after cleaning in reverse order.

DIMENSIONS

Model	B	H	ØD	L
200	11.02"	39.37"	7.87"	2"
250	12.99"	47.24"	9.84"	2"
315	15.75"	47.24"	12.40"	2"
400	19.68"	70.87"	15.75"	4"
500	24.80"	70.87"	19.68"	4"
630	31.50"	70.87"	24.80"	4"

- AS/AFC installation base: (L) height = 2" (200...1200 models), and 4" (400...1800 models)
- SB/AFC installation base, high model: height = 8" , W=W+5" , K=K+2"

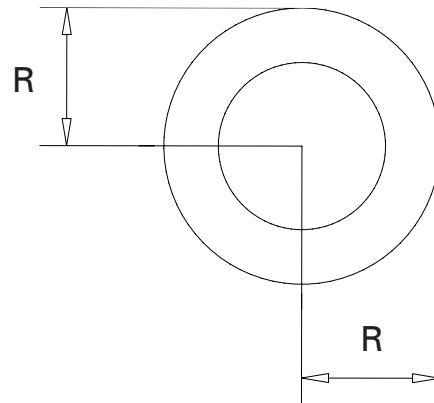


Installation

Perform the installation in the numerical order.

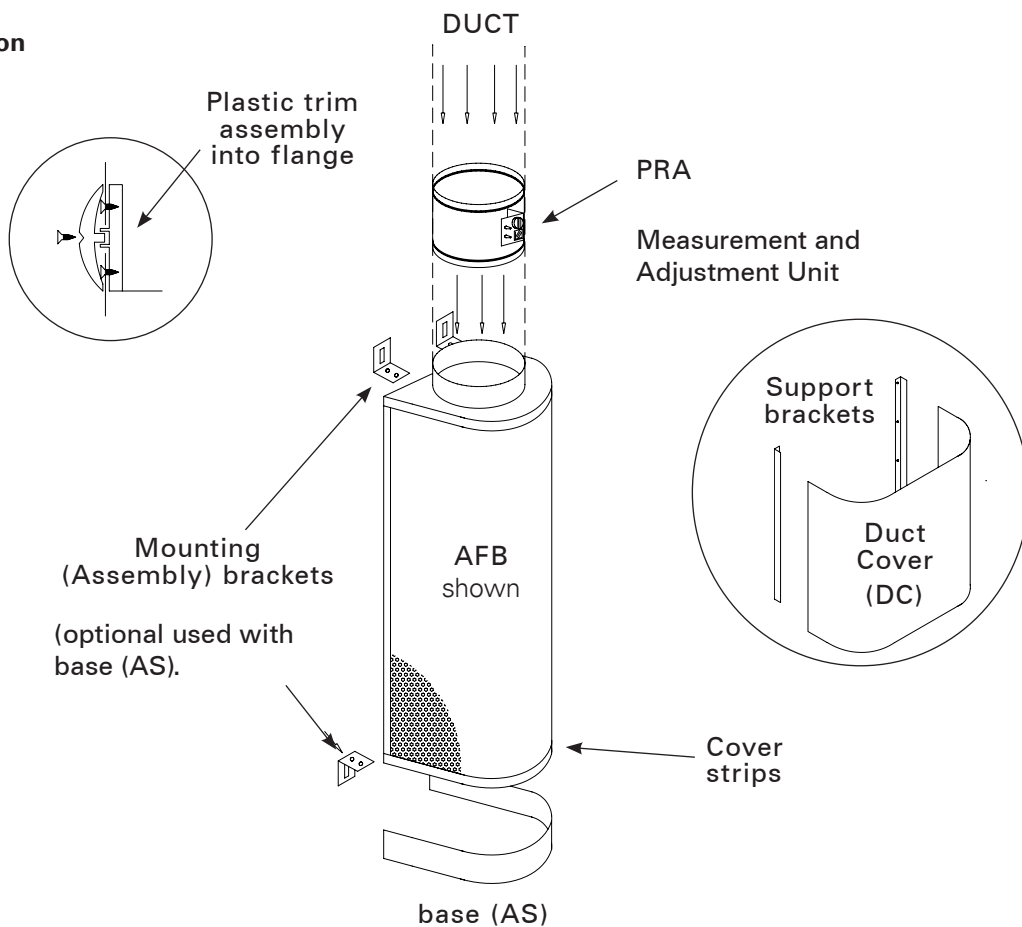
1. Fix mounting brackets (4 places) to low velocity unit.
2. Remove plastic cover strips from unit.
3. Locate unit against wall and secure through mounting brackets.
4. Fix duct cover support brackets to wall between unit and ceiling.
5. Position AS base against lower flange of the unit.
6. After installation of ductwork, locate DC duct cover as follows :
Locate DC duct cover section on top flange of AF unit and firmly push into support brackets fixed to wall.
7. Secure DC duct cover with screws through cover into support brackets.
8. Re-fit plastic cover strips between DC duct cover and AF unit, and between AS base and AF unit by bending strip back and pressing bead into groove in flange, as shown in diagram below.
9. When multiple sections of DC duct cover are used plastic cover strips are provided.

**Top View
Duct Installation**



AFC	R
200	5.51"
250	6.50"
315	7.87"
400	9.84"
500	12.40"
630	15.75"

Duct Installation



Suggested specifications

The low velocity unit shall be made of power coat epoxy-painted galvanized steel, with white (RAL 9010) color.

The unit shall have a sturdy maintenance-free, non-clogging structure.

The unit shall comprise of a detachable, perforated front panel and a hygienic internal fixed flow equalization element.

The unit shall have a circular duct connection at the top, or bottom depending on the location of the unit.

Mounting brackets shall be included with the delivery.

Option

The unit shall be equipped with a duct cover, installation base and/or colored cover strip where required.

The front panel of the unit shall be made of 18 gauge galvanized steel.

Product code

AFC/S-D

S = Location of duct connection

T Top
B Bottom

D = Size of duct connection

160, 200, 250, 315, 400, 1000 x 300

Specifics and accessories

MA = Material

CS Steel
AS Stainless steel

TP = Front panel thickness 18 ga.

CO = Color

W White
X Special color

CP = Plastic Strip Color

W White
G Grey
B Black

DC = Duct Cover

AC = Accessories

AS Base

PRA Adjustment and Measurement Unit

Code example

$$\frac{\text{AFC}}{1} \frac{200 - (X)}{2} + \frac{\text{AS}}{3} + \frac{\text{DC xxx}}{4} + \frac{\text{PRA}}{5} + \frac{\text{PRA}}{6}$$

- 1 Product type
- 2 Nominal size (Collar size)
- 3 Placement of duct connection
 - (x) Normal (top position)
 - 1 Left
 - 2 Right
 - 3 Back
- 4 Base (AS)
- 5 Duct cover (DC) and length (xxx)
- 6 Adjustment and measurement unit PRA